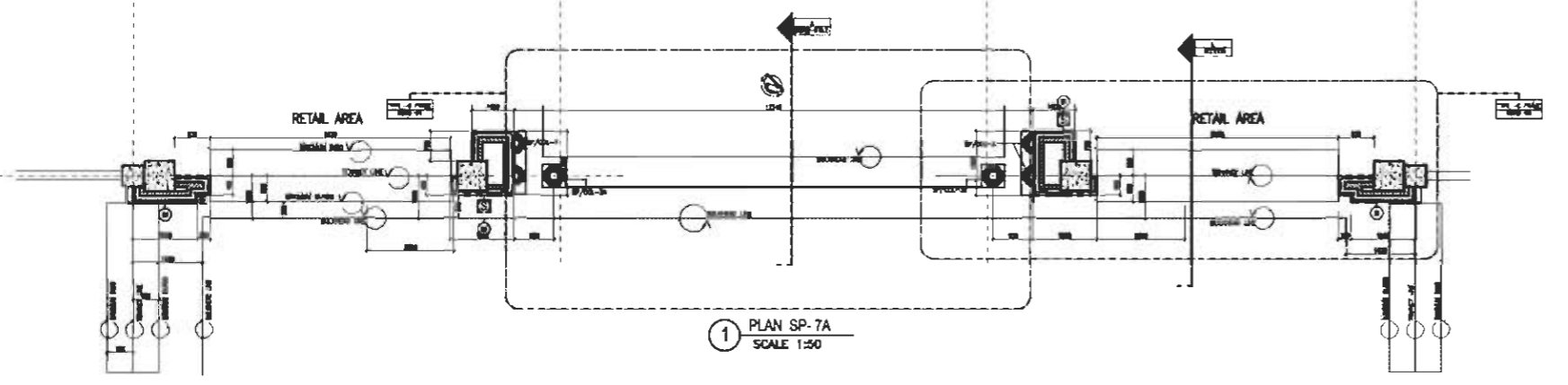
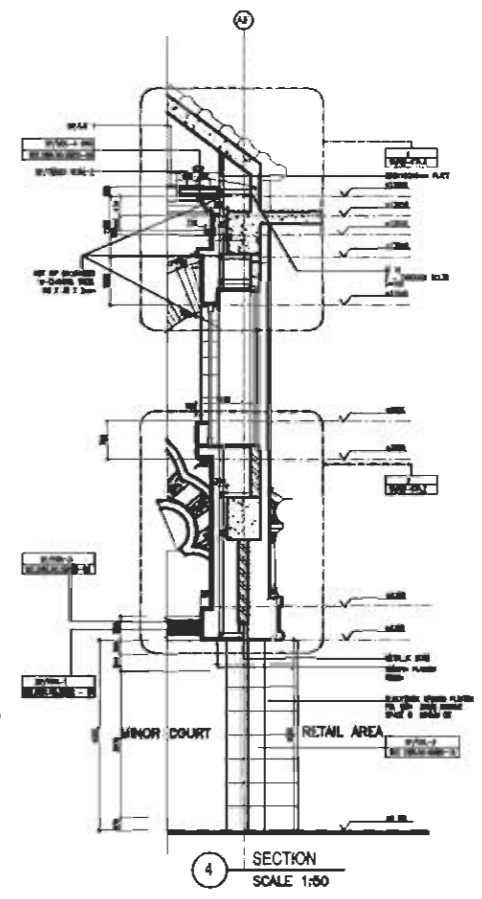


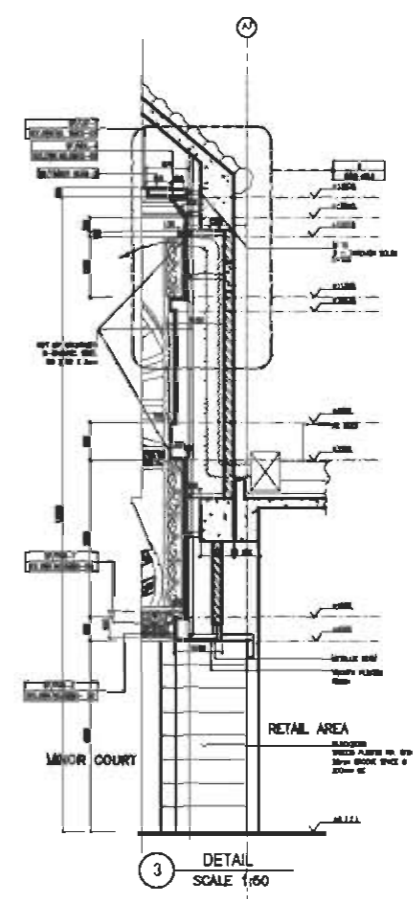
2 ELEVATION SP-7A  
SCALE 1:50



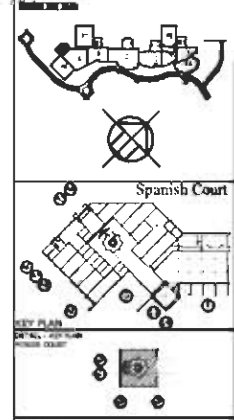
1 PLAN SP-7A  
SCALE 1:50



4 SECTION  
SCALE 1:50



3 DETAIL  
SCALE 1:50



**NOTES**

1. All dimensions on drawings are given in millimeters. No dimensions are to be scaled from this drawing. Refer only to dimensions given or request information from consultant.
2. Reference grid columns on plan LANE 01 - secondary structure details on plan A&B 01/02.

**CLIENT**

**THEME CONSULTANT**

**MTE Studios PZ LLC**  
Dubai, UAE  
+971 4 3997444  
www.mtestudios.com

**ARCHITECT**

**INTERIORS**

**SPANISH COURT**

**WALL ELEVATION**

**MINOR COURT SP-7A**

**DATE**

NO.	DATE	DESCRIPTION	BY	CHECKED
1				
2				
3				
4				

**CLIENT**

**THEME CONSULTANT**

**MTE Studios PZ LLC**  
Dubai, UAE  
+971 4 3997444  
www.mtestudios.com

**ARCHITECT**

**INTERIORS**

**SPANISH COURT**

**WALL ELEVATION**

**MINOR COURT SP-7A**

**DATE**

**INTACHI INTERNATIONAL INTERIORS, LLC**  
PO BOX 17582, DUBAI, U.A.E.  
TEL: +971-04-3997444 FAX: +971-04-3997443

**PC: MTE INC. REV: 02/2010-01/2010**

**FOR NO. LOCATION DISCIPLINE**

**A R S S WITH APPROVAL**